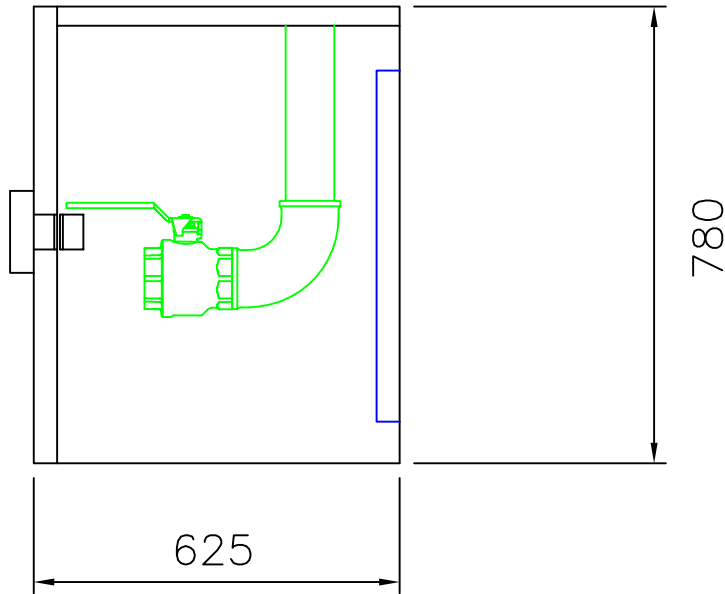
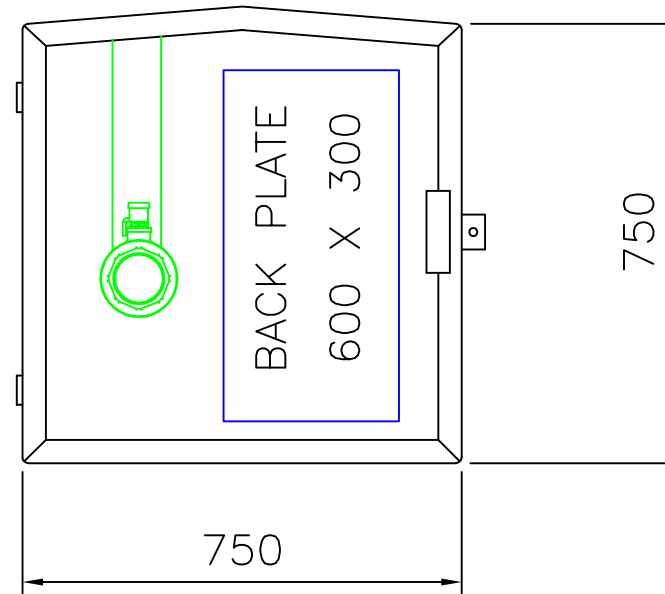


SIDE VIEW



FRONT VIEW



Option A – This will hold a fill point, alarm and gauge
 Small cabinet with hinged door
 750mm(w) x 625mm(d) x 750mm(h)



Email: info@simon-engineering.co.uk
 www.simon-engineering.co.uk

© COPYRIGHT 2010
 THIS DRAWING AND DESIGN IS THE PROPERTY
 OF SIMON ENGINEERING.
 IT IS CONFIDENTIAL AND MUST NOT BE
 LOANED, COPIED OR OTHERWISE COMMUNICATED
 TO A THIRD PARTY WITHOUT PERMISSION AND
 IS THE SUBJECT OF A RECALL AT ANY TIME

SIMON ENGINEERING,
 SIXTH AVENUE,
 FLIXBOROUGH INDUSTRIAL ESTATE,
 FLIXBOROUGH,
 SCUNTHORPE,
 NORTH LINCOLNSHIRE.
 DN15 8SH.
 TELEPHONE: 01724 282937
 FAX: 01724 278811



FM 559430

ISO 9001:2008
 QUALITY
 MANAGEMENT
 SYSTEMS

STORAGE CONTAINMENT TANKS
 ARE GENERALLY MANUFACTURED
 TO BS 799 - 5 : 2010

MATERIAL: S275

STANDARD TOLERANCES
 + 100mm / - 100mm

SCALE NTS

DRAWN

DATE

ISSUED

SIGNED

DESCRIPTION

PASSED

No.

DATE

TITLE

SMALL CABINET
 HINGED DOOR TYPE OPTION A

CAD FILE: CABINET OPTION A

DRG. No.

CABINET OPTION A